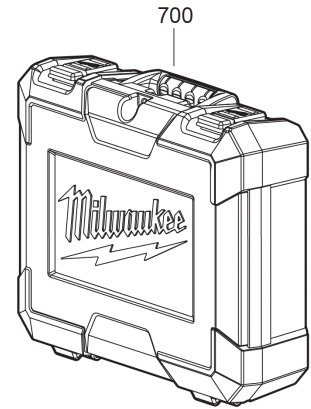
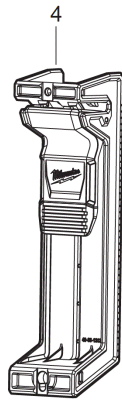
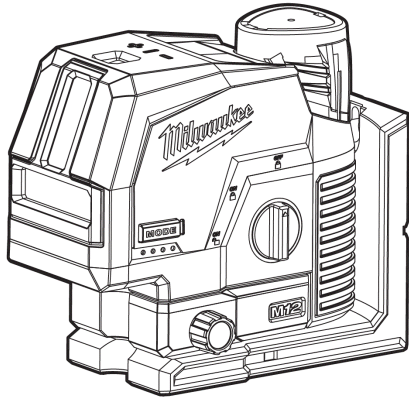
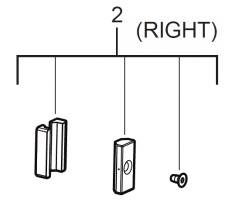
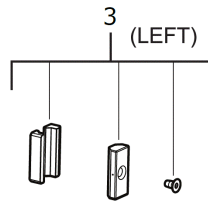
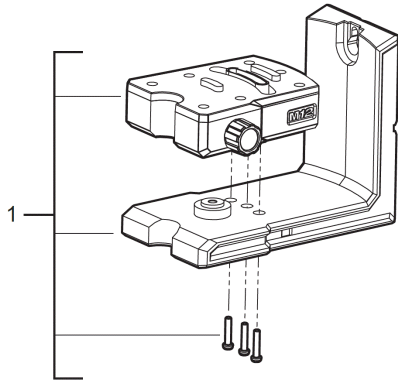


# M12CLLP-301C M12 CROSS LINE/2P.LASER IN2

4933478100 - M12CLLP-301C - 4000477732





<b>Position</b>	<b>Quantity</b>	<b>Description</b>	<b>Part number</b>	<b>EAN</b>
0001	1	CLAMP	4931473860	4058546364281
0002	4	MAGNET	4931473857	4058546364250
0003	2	MAGNET	4931483405	4058546389963
0004	1	CLIP	4931473858	4058546364267
0700	1	CARRYING CASE	4931473863	4058546364311